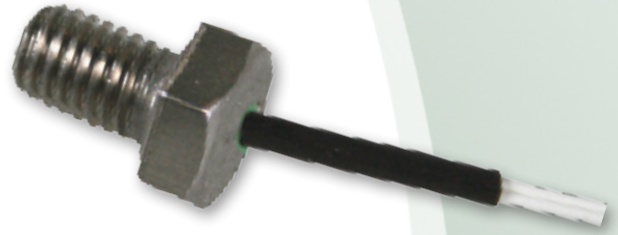


## Hex Bolt Sensor

- Temperature range -40 to +250° C
- Miniature design with M8 hexagonal bolt
- PT100 and PT1000 available
- Custom designs available
- Higher temperature range available
- Versatile temperature probe with screw body



### Typical Applications for this sensor are:

- Heating / cooling systems
- Laboratory
- Industrial process
- Energy
- HVAC
- Drilling

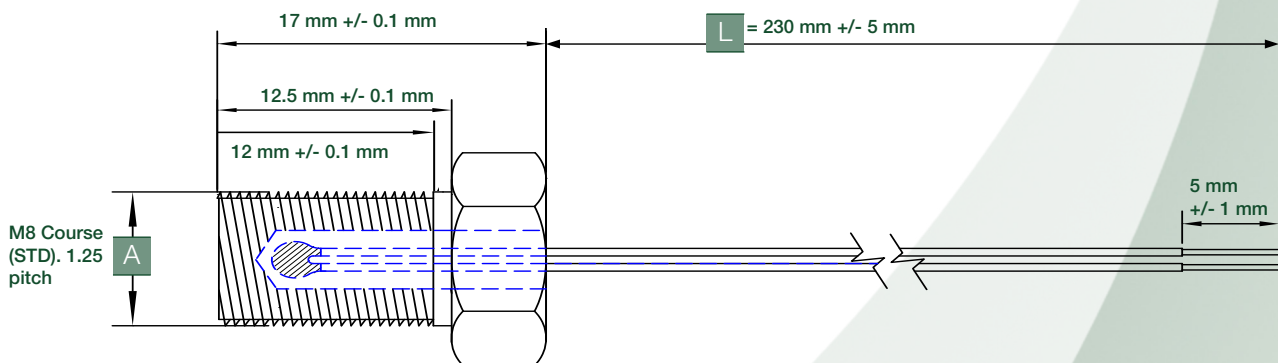
## Specifications

Technical parameters for stock model		
	Unit	Value
Sensing element		PT100 class B
Accuracy	°C	$\pm (0,3 K + 0,005 \times  t )$
Operating temperature	°C	-40 to +250
Epoxy thermal conductivity	W/(m.K)	1.7
Recommended applied current (self heating must be considered)		1 mA at 100 $\Omega$ 0.3 mA at 1000 $\Omega$

Materials	
Leads and insulation	PFA sheathed twisted pair 7/0.2 with PTFE heat shrink
Probe material	Stainless steel

Features	
•	Cost effective - off the shelf model
•	Stock model - reduced lead times
•	Improved potting epoxy has outstanding thermal conductivity for faster response times

## Dimensions in mm



## Ordering information for standard stock model:

**Stock model number:**

**93166-ETP-SP-8-23-PT100B**

93166-ETP-SP-8-23-PT100B  
94847-ETP-SP-8-100-PT100B



## Ordering information for custom designs:

Use the information below to build up a custom probe design.

<b>AxL</b>	Probe thread size											
	Order Code A =	5	6	7	8							xxxx
	Thread size in mm	M5	M6	M7	M8							Optional thread size
	Order Code L =	As required										
	Thread Length in mm	12 mm standard but others on request										

<b>L</b>	Probe cable length											
	Order Code L =	5	10	15	20	23	25	30	35	40	45	x
	Length in mm +/- 5 mm	50	100	150	200	230	250	300	350	400	450	Custom length

<b>T</b>	Thermistor type											
	Order Code T =	PT100B = PT100 class B PT100A = PT100 class A PT1000B = PT1000 class B PT1000A = PT1000 class A										